

DEUTZ TCD 9.0

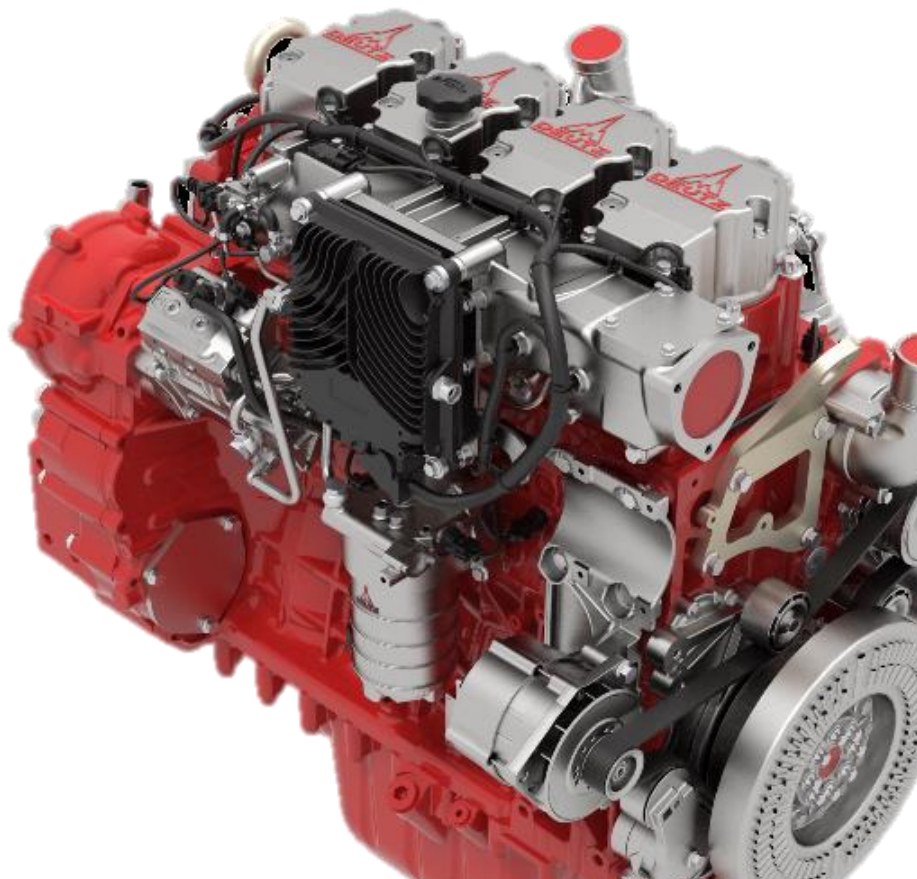
Powerful, efficient and compact.



For mobile machinery

The TCD 9.0 – With 225 up to 303 kW power output ideal for your application.

- **POWERFUL** / Up to 304 kW & 1710 Nm
- **LOW EMISSIONS** / EU Stage V & Tier 4f certified
- **MODULAR** / Wide range of applications due to a variety of options
- **VERSATILE** / EDG - Version* (Stage IIIA, Tier 0)
- **POWERPACK** / Modular, compact & ready for installation

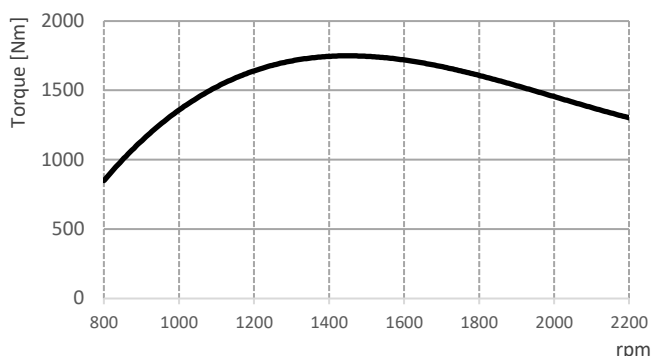
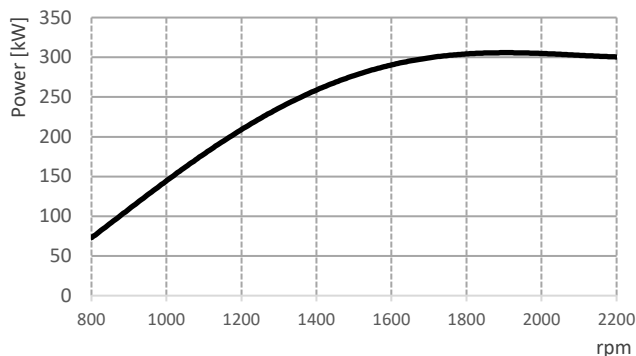


STAGE **V**
certified **V**®

*Emission Downgrade without EAT

DEUTZ TCD 9.0

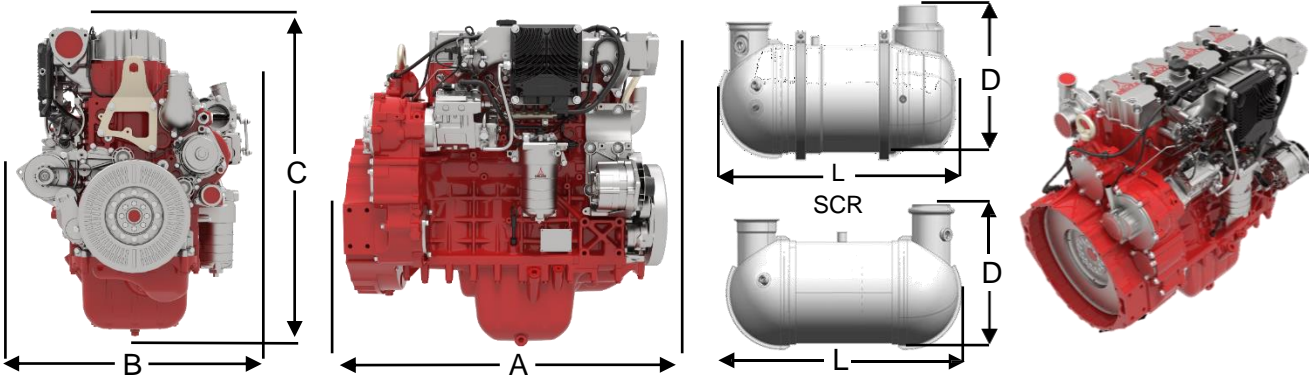
— TCD 9.0



TECHNICAL DATA

ENGINE TYPE	TCD 9.0	
No. of Cylinders		4
Displacement	l	9
Max. Nominal Speed	min ⁻¹	2100
Aspiration	Turbocharger with intercooler	
Power Output acc. ISO 14396	kW	304
At Speed	min ⁻¹	1700 - 2100
Max. Torque	Nm	1710
At Speed	min ⁻¹	1200 - 1600
Min. Idling Speed	min ⁻¹	800
Weight (DIN 70020 Part 7A)	kg	827

DIMENSIONS



ENGINE TYPE	mm	DOC + DPF/SCR				SCR			DOC/DPF + SCR	SCR
		A	B	C	D	L	D	L		
TCD 9.0	mm	1378	852	1161	360	1299	360	1110	●	■

- Standard for US Tier 4
- Standard for EU Stage V

