

Higher power density, low fuel consumption

The F36 engine from FPT Industrial leverages a renewed architecture (new cylinder head and block) and state-of-the-art technological content (new injectors and wastegate turbocharger) to deliver outstanding performance. To meet emissions requirements, the F36 features the HI-eSCR 2 system, a maintenance-free system marking another step in our long-term SCR development. The F36 optimizes customers' total cost of ownership through best-in-class service intervals, single-side maintenance, hydraulic tappets and a compact footprint.

SPECIFICATIONS

Type	Diesel 4 Stroke
Configuration	Inline 4 Cylinder
Air Handling	Turbocharged
Bore X stroke	102 x 110 mm
Displacement	3.6 L
Compression Ratio	18.5:1
Valves per Cylinder	4
Rotation	CCW
Fuel System	Electronic Common Rail

KEY FEATURES:

- Higher power density, low fuel consumption
- Best-in-class 600-hour service interval maximizes uptime
- Compact, ready-to-run system and pre-assembled ATS
- Flexible configurations to meet your needs:
 - 3.6-liter displacement
 - Power up to 105 kW (141 HP)
 - Torque up to 600 Nm (443 lb/ft)
- ATS with "for life" Hi-eSCR2 technology minimizes downtime and operating costs
- Easy maintenance with single-side access

AFTER TREATMENT SYSTEM

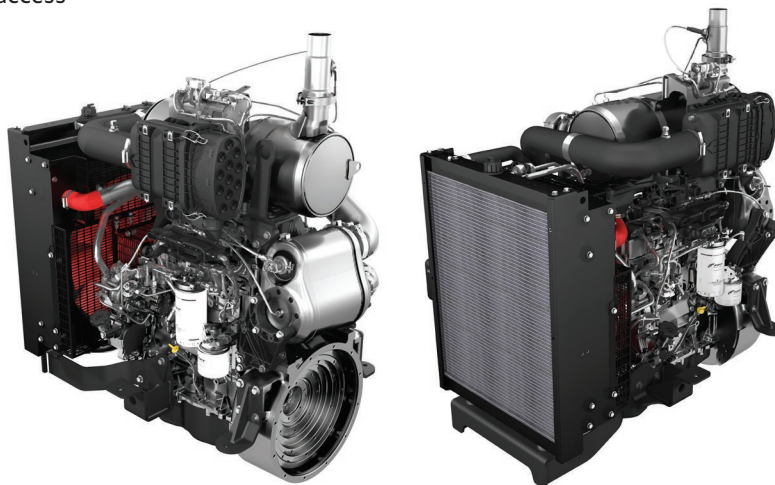
Tier 4F / Stage V	DOC + DPF + SCR
-------------------	-----------------

PERFORMANCE RATINGS

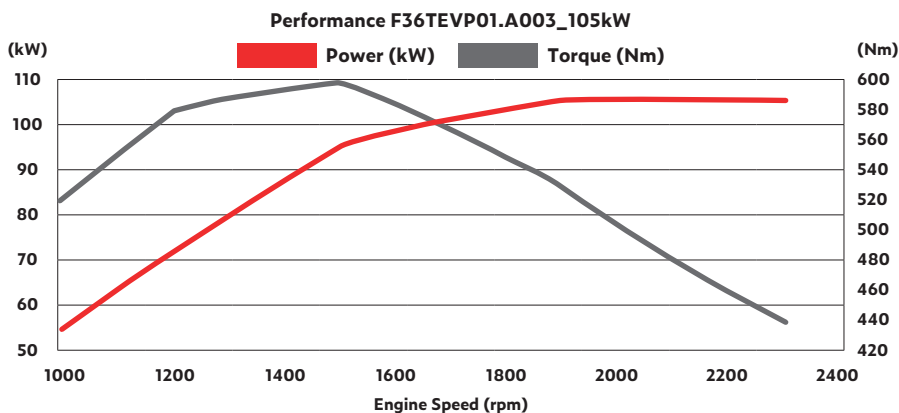
63 kW (84 HP) @ 2300 RPM	354 Nm @ 1400 RPM
75 kW (101 HP) @ 2300 RPM	430 Nm @ 1400 RPM
90 kW (121 HP) @ 2300 RPM	490 Nm @ 1400 RPM
105 kW (141 HP) @ 2300 RPM	600 Nm @ 1500 RPM

STANDARD CONFIGURATION

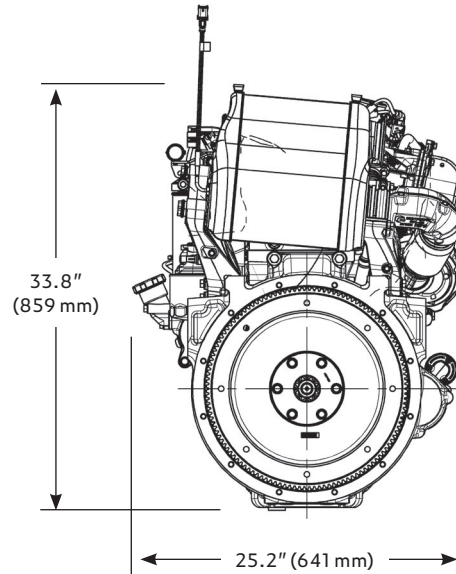
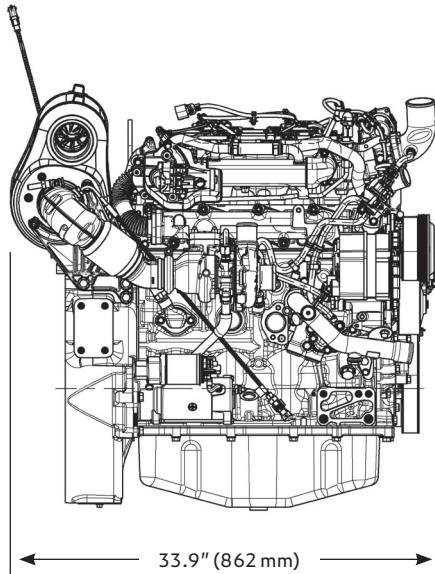
Emissions Level	Tier 4F / Stage V
Flywheel Housing	SAE 3
Flywheel Housing	11.5"
Oil Sump	Center
Voltage	12V
Alternator	12V - 120A
Starter	12V - 4.5 kW
Powerpack Dimensions	1199 x 760 x 1376 mm
Powerpack Weight	542 kg



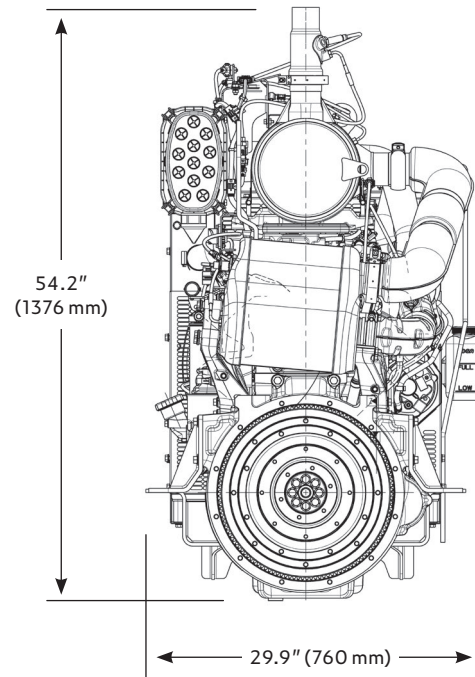
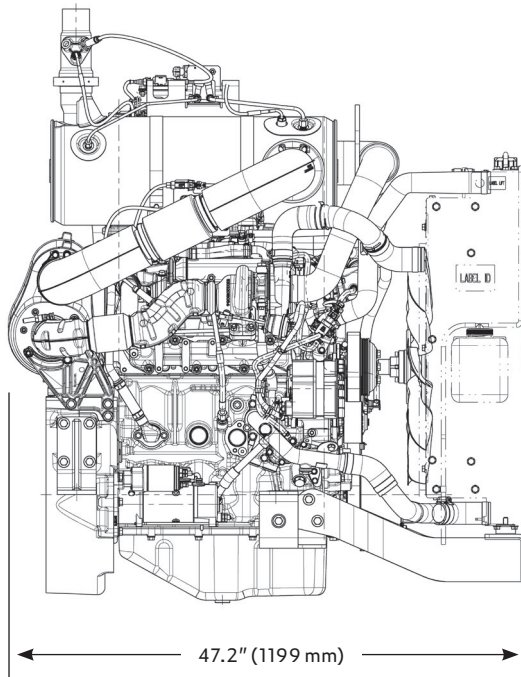
ENGINE PERFORMANCE DATA



F36



F36 POWERPACK



DISTRIBUTOR

Stauffer Diesel Inc.
34 Stauffer Lane, Ephrata, PA 17522
www.staufferdiesel.com
Contact: Michael Balsler at 800.377.2120