

## The performance of 3.4L engine in a 2L package

The F28 engine from FPT Industrial stands out for its compact layout and high performance in the sub-3-liter category, making it ideal for applications requiring higher productivity with a compact footprint. The after treatment system in Tier 4 Final engines is DPF free (DOC only) and is best in class for its reduced footprint.

### SPECIFICATIONS

Type	Diesel 4 Stroke
Configuration	Inline 4 Cylinder
Air Handling	Turbocharged/Turbocharged Air Cooled (55 Kw)
Bore X stroke	90.8 X 108 mm
Displacement	2.8 L
Compression Ratio	17:1
Valves per Cylinder	2
Rotation	CCW
Fuel System	Electronic Common Rail

### AFTER TREATMENT SYSTEM

Tier 4F	DOC
---------	-----

### PERFORMANCE RATINGS

37 kW (50 HP) @ 2500 RPM*	207 Nm @ 1400 RPM
43 kW (58 HP) @ 2500 RPM*	250 Nm @ 1400 RPM
54 kW (72 HP) @ 2500 RPM*	260 Nm @ 1800 RPM
54 kW (72 HP) @ 2500 RPM**	366 Nm @ 1400 RPM

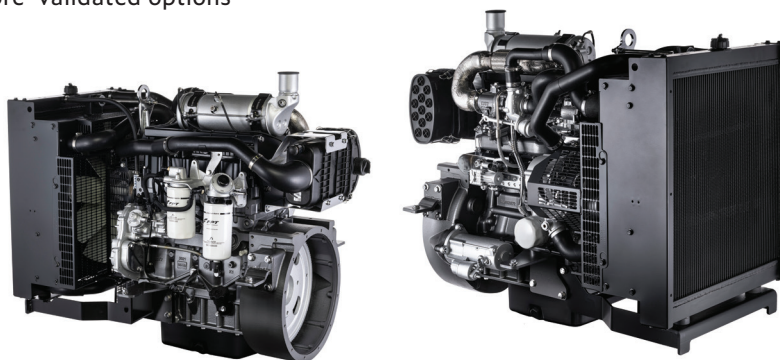
\*TC \*\*TCA

### STANDARD CONFIGURATION

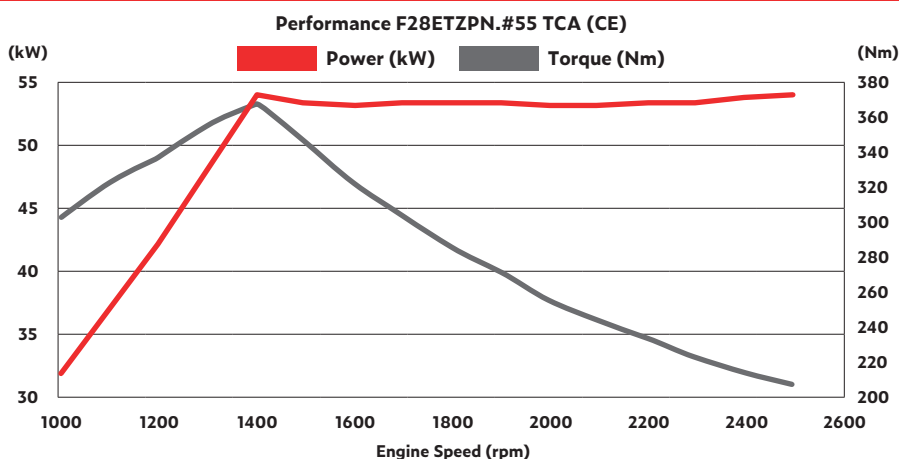
Emissions Level	Tier 4F
Flywheel Housing	SAE 3
Flywheel Housing	11.5"
Oil Sump	Center
Voltage	12V
Alternator	12V - 100A
Starter	12V - 3.2 kW
Powerpack Dimensions	1150 x 720 x 985 mm
Powerpack Weight	465 kg

### KEY FEATURES:

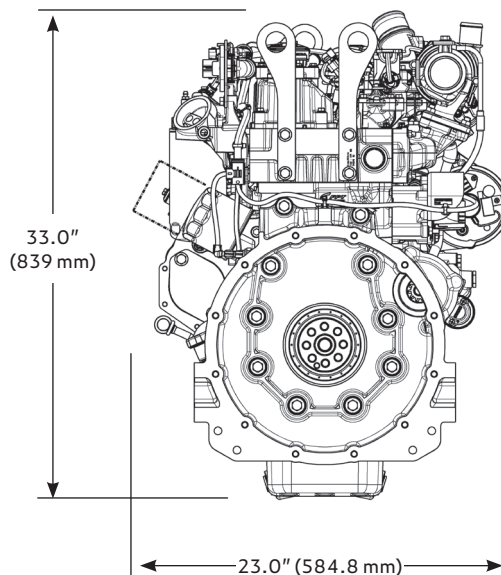
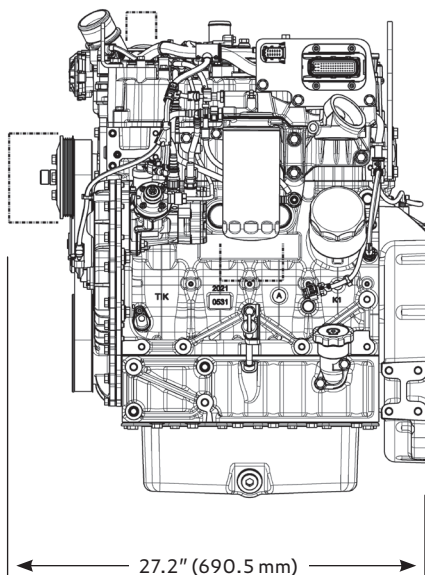
- Delivers performance of 3.4-liter engine in 2-liter package
- Complete pre-assembled solution for fast and easy installation
- Most compact ATS in its category for stationary and nonstationary machines
- Customizable with a set of pre-validated options
- Best-in-class 600-hour service interval minimizes downtime
- 2.8-liter displacement
- Power up to 54 kW (72 HP)
- Torque up to 366 Nm (270 lb/ft)



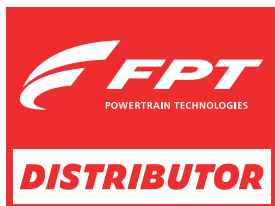
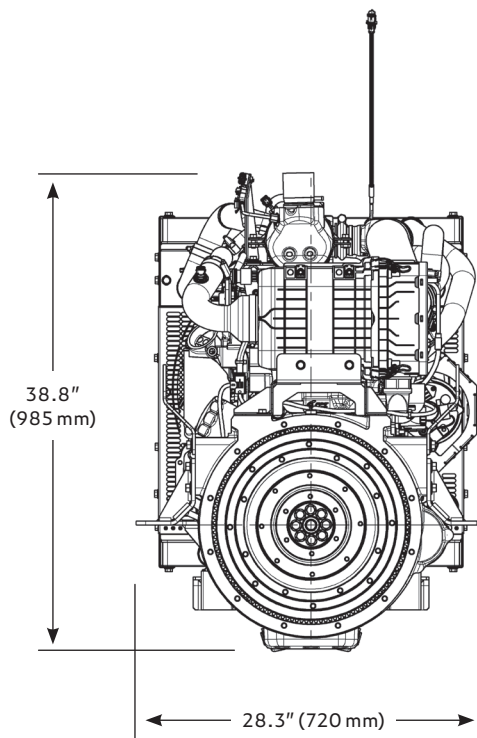
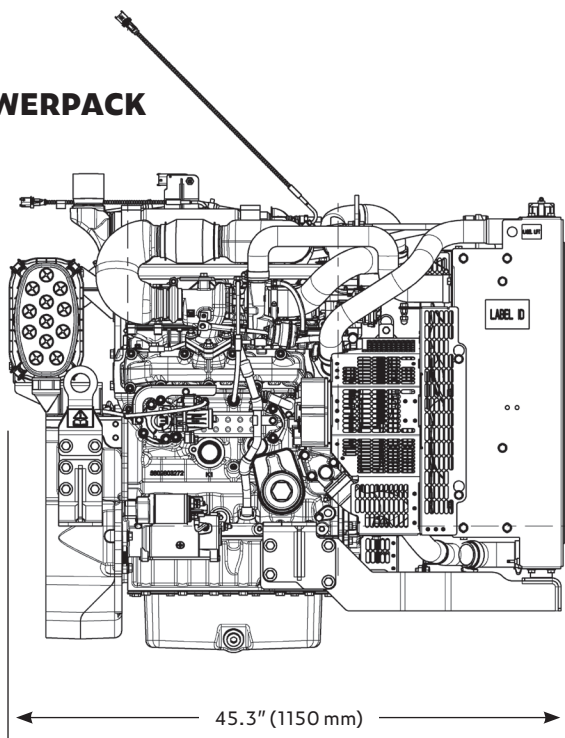
### ENGINE PERFORMANCE DATA



## F28



## F28 POWERPACK



**Distributor Name**  
Main Street Address, City, ST Zip  
www.website.com  
**Contact:** John Smith at 000-000-0000

