

## Reliable performance in heavy-duty applications

The high-powered Cursor 9 engine features a six-cylinder, 8.7-liter design to provide reliable performance in heavy-duty applications. All power units powered by FPT Industrial are designed for highly efficient power output and quick load response, high power density and low running costs. The Cursor 9 is compliant with Stage V and Tier 4 Final regulations, using the patented HI-eSCR 2 system, the most efficient SCR system available on the market without EGR.

### SPECIFICATIONS

Type	Diesel 4 Stroke
Configuration	Inline 6 Cylinder
Air Handling	Turbocharged Aftercooled
Bore X stroke	117 x 135 mm
Displacement	8.7 L
Compression Ratio	15.9:1
Valves per Cylinder	4
Rotation	CCW
Fuel System	Electronic Common Rail

### AFTER TREATMENT SYSTEM

Tier 4F only	DOC + SCR
Tier 4F / Stage V	DOC + SCRoF

### PERFORMANCE RATINGS

245 kW (329 HP) @ 2100 RPM	1522 Nm @ 1500 RPM
275 kW (369 HP) @ 2100 RPM	1675 Nm @ 1500 RPM
308 kW (413 HP) @ 2100 RPM	1800 Nm @ 1500 RPM

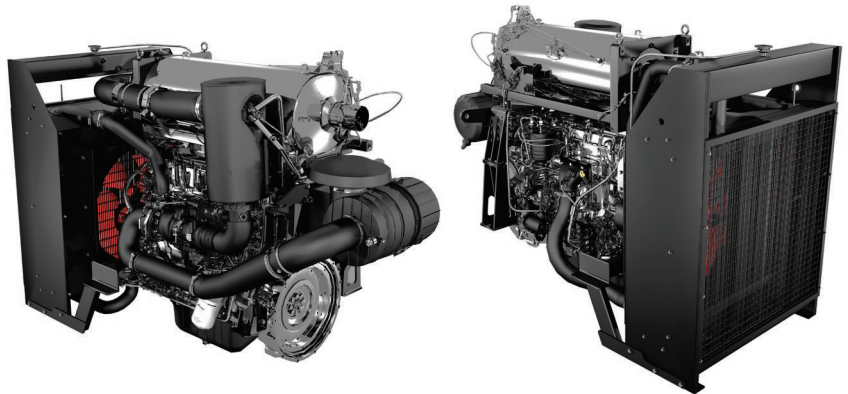
### STANDARD CONFIGURATION\*

Emissions Level	Tier 4F / Stage V
Flywheel Housing	SAE 1
Flywheel Housing	14"
Oil Sump	Center
Voltage	24V
Alternator	24V - 90A
Starter	24V - 4.5 kW
Powerpack Dimensions	2273 x 1093 x 1610 mm
Powerpack Weight	1405 kg

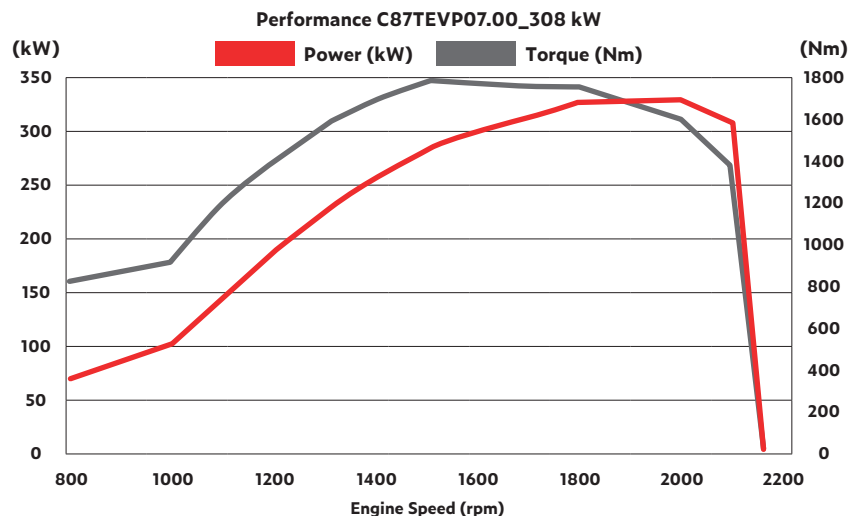
\* Flexible configurations are available.

### KEY FEATURES:

- Developed for the most demanding heavy-duty needs
- Hi-eSCR2 technology - EGR-free for lower running costs
- Heavy-duty common rail fuel injection
- Best-in-class 600-hour service interval minimizes downtime
- Flexible configurations to meet your needs:
  - 8.7-liter displacement
  - Power up to 308 kW (413 HP)
  - Torque up to 1800 Nm (1328 lb/ft)
- US Tier 4 Final and EU Stage V dual certified



### ENGINE PERFORMANCE DATA



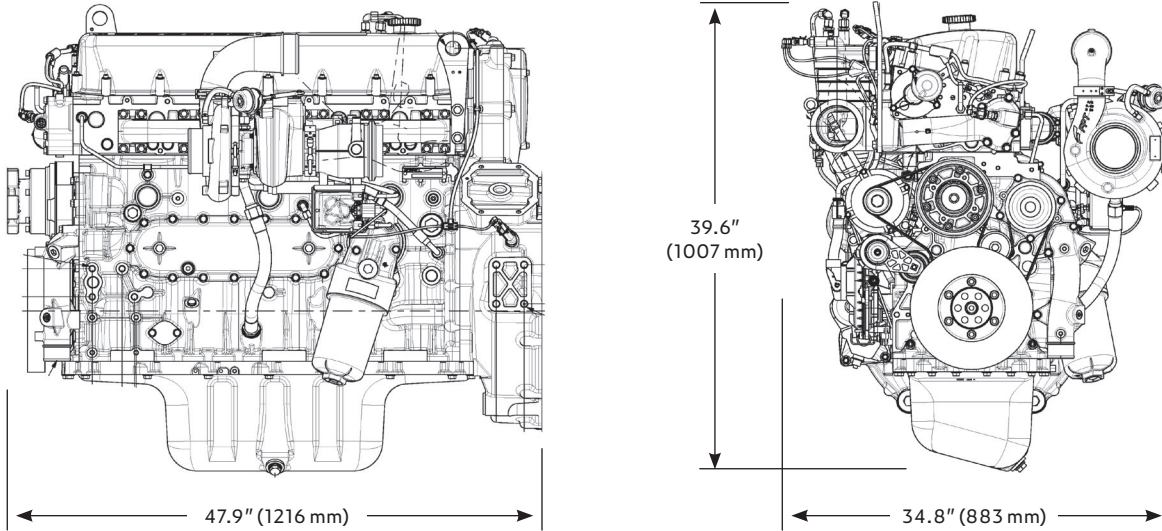
OFF-ROAD INDUSTRIAL

# CURSOR 9

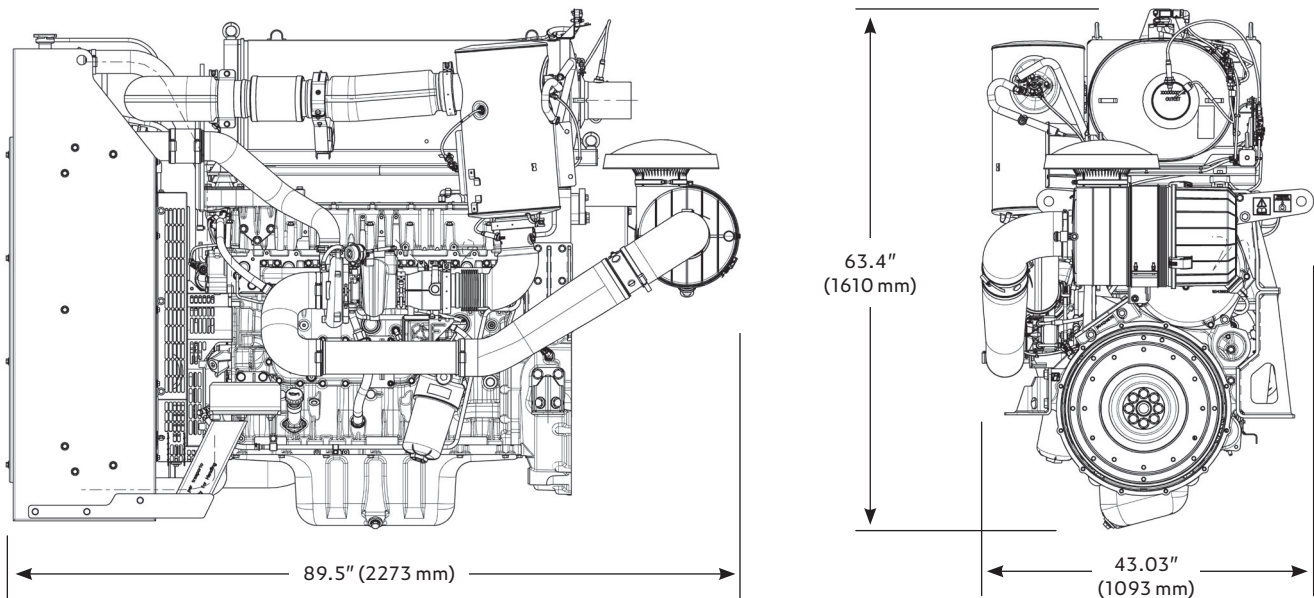
245 - 308 kW (329 - 413 HP)



## CURSOR 9 - Available in Tier 4 Final only and Stage V / T4 Final dual certified



## CURSOR 9 POWERPACK - Available in Stage V / Tier 4 Final dual certified



**DISTRIBUTOR**

**Stauffer Diesel Inc.**  
34 Stauffer Lane, Ephrata, PA 17522  
[www.staufferdiesel.com](http://www.staufferdiesel.com)  
**Contact: Michael Balsler at 800.377.2120**