

TCG914

Heavy Duty Gas Engines. 32-114 HP | 24-85 kW (1,200 / 1,900 rpm)



Characteristics

Air-cooled 3-, 4- and 6-cylinder in-line engines | Naturally aspirated and turbocharged with charge air cooling | Belt-driven, high-efficiency cooling blower | Heavy Duty skid base | Engine mounts, rigid (four-cylinder standard with Mass Balancer) | SAE 3 flywheel housing and 10/11.5" flywheel | 12V electric starter and 12V alternator | Fully assembled and wired ignition system | Integrated programmable Engine Control Unit (ECU) | DEUTZ safety shut down control panel | Air intake manifold and catalytic converter (for EPA compliant versions) | Heavy Duty dry-type air cleaner

Your Benefits

- Using several components of its heavy duty diesel engine counterpart, the TCG914 Series is versatile, producing required power from dry natural gas.
- Alongside its mechanical reliability, the TCG914 series' state-of-the-art ignition system, gas train and water-resistant connectors integrate to provide trouble-free operation in all climatic conditions.
- The engine safety shut down control panel is functionally designed to provide all vital information on the engine's speed, speed control, operating hours, battery voltage, oil pressure and oil temperature, at a glance.
- The TCG914's programmable Electronic Control Unit (ECU) continuously monitors and adjusts ignition timing per individual load and engine speed variances under all conditions.
- While extremely willing to perform, the TCG914 Series efficiently achieves a fuel consumption rate of 8,943 kWh/kWh (3.5 btu/BHPH).
- The TCG914's modular engine design allows that single cylinder liners can be replaced without disturbing neighboring units, reducing engine downtime.

Engine Specifications

Type of cooling:	Integrated air cooling
Crankcase:	Gray cast iron
Crankcase ventilation:	Open or closed possible
Cylinder head:	Individual aluminum alloy cylinder heads
Pistons:	Three-ring aluminum pistons
Piston cooling:	Cooling oil spray jets
Connecting rod:	Cast connecting rod
Crankshaft:	Sphaero cast
Lubricating oil cooler:	Block oil cooler
Lubricating oil filter:	Replaceable cartridge in main lubrication oil flow
Ignition:	Spark plug
Fuel filter:	Coarse filter
Alternator:	Three-phase alternator 12 V, 55 A
Starter:	4.0 kW, 12 V

Technical Data

		G914L3	G914L4	G914L6	TCG914L6
Engine Type					
Number of Cylinders		3	4	6	6
Cylinder arrangement		Vertical in-line	Vertical in-line	Vertical in-line	Vertical in-line
Aspiration		Natural	Natural	Natural	Turbocharged with charge air cooler
Total displacement	Litre in ³	3.2 197.4	4.3 263.2	6.5 394.9	6.5 394.9

EPA Certified Power Ratings¹⁾					
Maximum output ²⁾	hp kW		37.5 28.0	60.3 45.0	89.8 67.0
At engine speed	rpm		1,900	1,900	1,800
Low idle speed	rpm		950	950	950
Peak torque	lb-ft NM		140.8 191.0	216.7 294.0	282.0 362.9
At engine speed	rpm		1,200	1,200	1,500
Fuel consumption	kWh kWh btu BHPH		8,943 3.5	8,943 3.5	
Fuel Type	Dry natural Gas, minimum Methane > 80 %				

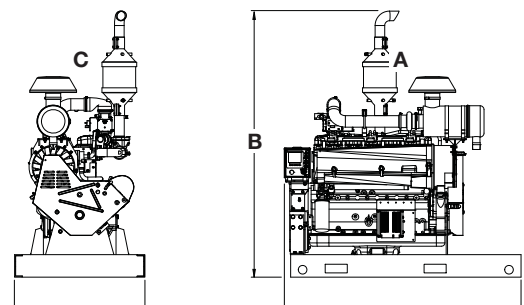
Non-EPA Certified Power Ratings					
Maximum output ²⁾	hp kW	38.9 29.0	51.0 38.0	80.5 60.0	114.0 85.0
At engine speed	rpm	2,000	2,000	2,000	1,900
Low idle speed	rpm	1,000	1,000	1,000	1,000
Peak torque	lb-ft NM	126.8 172.0	164.4 223.0	222.6 302.0	333.4 452.0
At engine speed	rpm	1,200	1,200	1,200	1,500
Fuel consumption	kWh kWh btu BHPH	8,943 3.5	8,943 3.5	8,943 3.5	
Fuel Type	Dry natural Gas, minimum Methane > 80 %				

¹⁾ Certified according to EPA for Natural Gas (SI-Engines) for stationary use

²⁾ Gross power, continuous

Dimensions and Weights

	A	B	C	Weight
	in mm	in mm	in mm	lb kg
G914L3	41.0 1040	34.0 860	51.0 1300	683 310
G914L4	41.0 1040	34.0 860	51.0 1300	728 330
G914L6	60.0 1520	34.0 860	51.0 1300	1014 460
TCG914L6	60.0 1520	34.0 860	46.5 1180	1224 555



DEUTZ Corporation
3883 Steve Reynolds Blvd
Norcross, GA 30093
Phone (770) 564-7100
E-mail: engines@deutzusa.com
www.deutzamericas.com

PN 300890 / Oct 2010

The engine company.  **DEUTZ**[®]