

TCD 2.9

For mobile machinery

30 - 55.4 kW | 40 - 75 hp at 2200 - 2600 rpm
EU Stage IIIB / US EPA Tier 4

- Newly-designed, water-cooled 4-cylinder inline engine with cooled, external exhaust gas recirculation with and without turbocharging and optionally with and without charge air cooling.
- Use of DVERT® oxidation catalyst (DOC) enables maintenance-free operation under all application and ambient conditions. A DVERT® particulate filter (DPF) is available as an option.
- The engines come with a modular exhaust aftertreatment system (EAT) configuration including the option of engine mounted systems. This simplifies machine integration for the OEM considerably and virtually means a drop-in solution.



- The powerful Common Rail injection system and highly-efficient combustion process with cooled external exhaust gas recirculation ensure optimum engine performance at low fuel consumption and exhaust emissions.
- Best cold starting performance even under extreme conditions.
- 500 h oil change intervals and a maintenance-free valve train result in low maintenance costs and increased machine availability.
- The extremely compact engine design and customer friendly accessories reduce the installation costs and increase the number of applications.
- 100% power take-off at flywheel and front end and additional side PTO drive with up to 120 Nm for the mounting of up to two hydraulic pumps.
- The engines meet the requirements of the EU Stage IIIB and US EPA Tier 4 interim with DVERT® oxidation catalyst. A variant without EAT is available as an option for EU <37kW and less regulated markets.

Technical data

Engine type		D 2.9 L4	TD/TCD 2.9 L4
No. of cylinders		4	4
Bore/stroke	mm in	92/110 3.6/4.3	92/110 3.6/4.3
Displacement	l cu in	2.9 177	2.9 177
Max. nominal speed	min ⁻¹ rpm	2600	2600
Power output ¹⁾		D 2.9 L4	TD/TCD 2.9 L4
Power output as per ISO 14396	kW hp	36.4 50	55.4 75
at speed	min ⁻¹ rpm	2600	2600
Max. torque	Nm lb/ft	147 108	260 192
at speed	min ⁻¹ rpm	1600	1600 - 1800
Minimum idling speed	min ⁻¹ rpm	900	900
Specific fuel consumption ²⁾	g/kWh lb/hph	240 0.39	241/228 0.40/0.37
Weight as per DIN 70020 Part 7A ³⁾	kg lb	220 485	237 522

1) Power data without deduction of fan power.

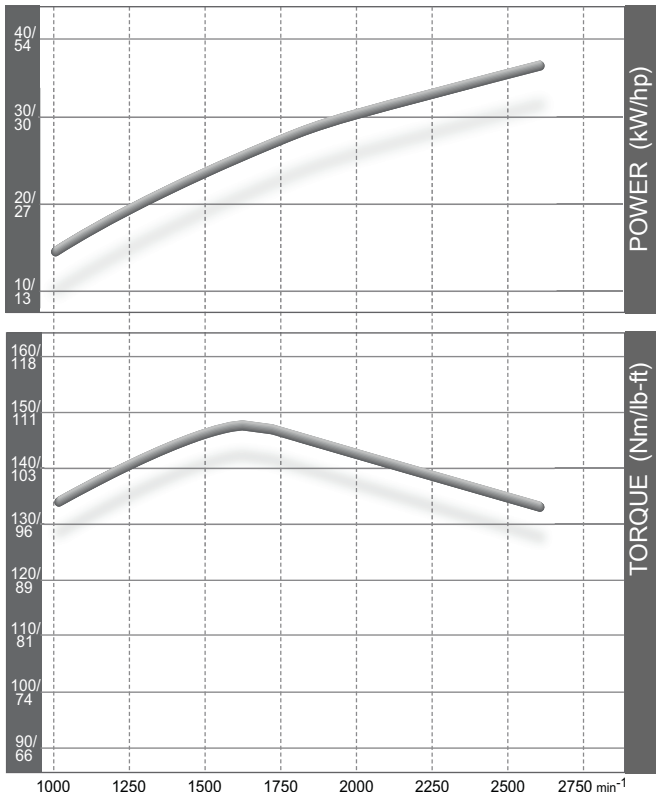
2) Best full load consumption refers to diesel with a density of 0.835 kg/dm³ at 15°C | 6.96 lb/US gallon at 60°F.

3) Without starter/alternator, cooler and fluids but with flywheel and flywheel housing.

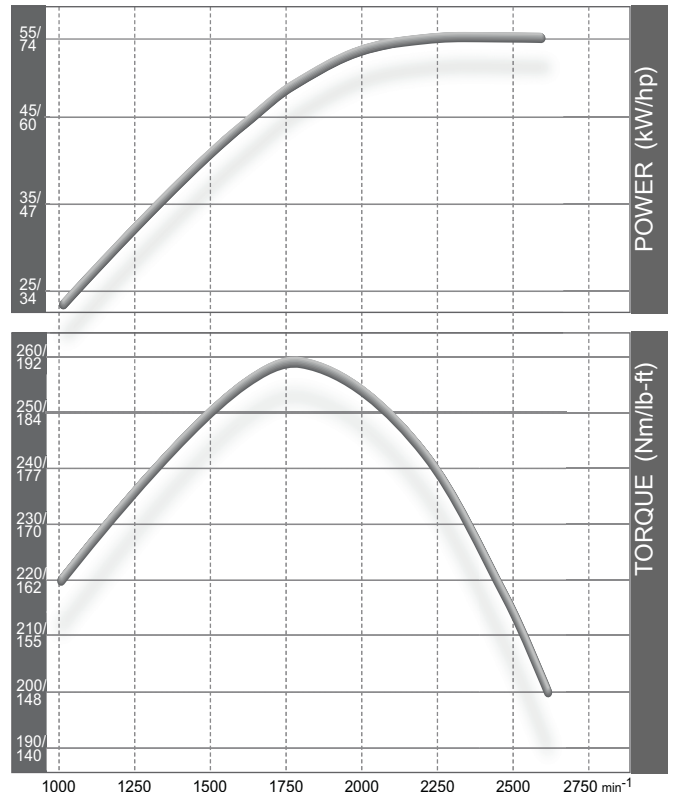
The data on this data sheet are for information purposes only and are not binding values. The data in the quotation is definitive.

Torque curve

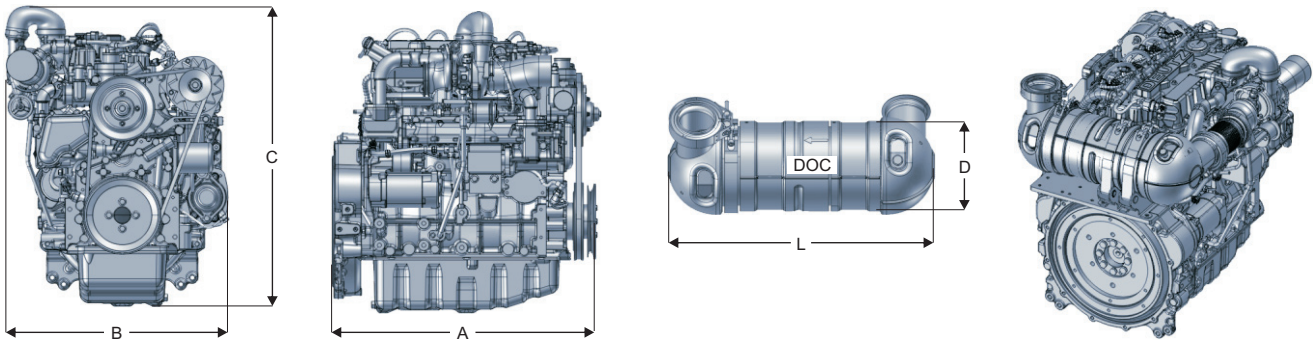
D 2.9 L4 - 36.4 kW|50 hp



TD/TCD 2.9 L4 - 55.4 kW|75 hp



Dimensions



		A			DOC		DPF		DVERT® EAT				
		mm	in	mm	in	D	L	D	L	DOC	DPF		
D 2.9 L4	<37 kW	648	25.5	483	19.0	199	7.8	380	15.0	-	-	-	-
TD 2.9 L4	<56 kW	648	25.5	560	22.0	199	7.8	523	20.6	-	-	-	-
TCD 2.9 L4	<56 kW	648	25.5	560	22.0	199	7.8	380	15.0	199	7.8	613	24.1

- Standard
- ▲ Optional

The DVERT® oxidation catalyst (DOC) does not satisfy the regulations of certain markets that have specified additional limit values for the number of particles (e.g. Switzerland). DEUTZ offers the DVERT® wallflow particulate filter as an option for these markets.

All connection variants are available either in 0° or 90° positions for inlet and outlet flanges.

Note: The engine dimensions and weights vary depending on the scope of delivery.

For more information please contact the DEUTZ AG Köln or the responsible sales partner.

